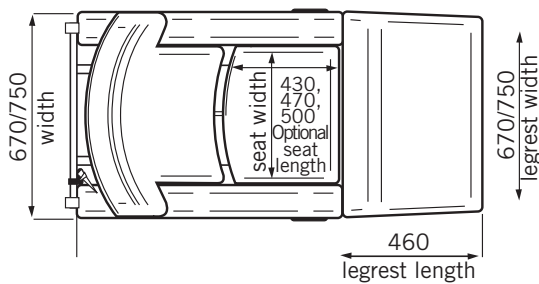
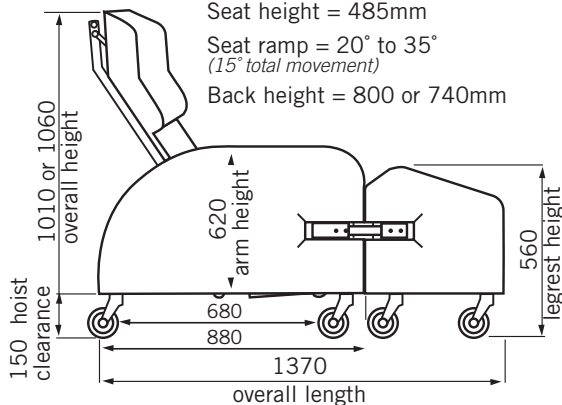


OMEGA



Back recline = 32° to 57°
(measured from the vertical)
Seat height = 485mm
Seat ramp = 20° to 35°
(15° total movement)
Back height = 800 or 740mm



Dimensions in mm

General Use

- Hospital and care home environments
- Domestic use
- For those with Huntington's Disease or other neurological conditions
- For general care of the semi and non-ambulant user

Features and Benefits

- Linked gas action back recline and variable seat angle
- Horizontally and vertically sculpted back aiding midline stability
- Two back height options
- Pivoting seat at front edge to retain knee to floor height
- Three seat width options: 380mm, 430mm, 510mm
- Three seat length options: 430mm, 470mm, 500mm (to be specified at time of manufacture)
- Supportive Reflexion™ foam legrest
- Ergonomically positioned push handle
- Solid metal frame construction with modular back, arm and seat components

Pressure Relieving Seat Options (integral)

- Intelli-Gel® Integral seat module
- Transflo Gel seat module
- Reflexion™ Foam seat module

Accessories

- Weighted Universal headrest
- Cushioned headrest
- Sliding footrest
- Washable loose covers
- Headcap
- Lap-Belt
- Pelvic Positioners

Weight Limit

- 150kg/2½ stone

Range	Seat Width	Overall Width
Omega 380	380mm	670mm
Omega 430	430mm	670mm
Omega 510	510mm	750mm

Please note: Omega 510 overall width with arms removed is 680mm.



Manual



5 Year Frame Warranty



Made in Britain



IntelliGel
integral

REFLEXION™

Transflo
SEATING SYSTEM

Contact Us

Call Freephone 0800 212709 (UK only) and speak to our friendly Customer Service Team. E: info@kirtonhealthcare.co.uk

About Us

The Kirton Healthcare Group
23 Rookwood Way, Haverhill, Suffolk, CB9 8PB

T: 01440 705352 F: 01440 706199

E: info@kirtonhealthcare.co.uk

www.kirton-healthcare.co.uk

@Kirton_Seating